

## TM Swim Latch

Stainless steel 316 · Rotate to unlatch / release

### Features

- Stylish latch for transom and swim platform doors
- Intuitive operation with push button and turn handle actuation
- Premium finish and corrosion resistance

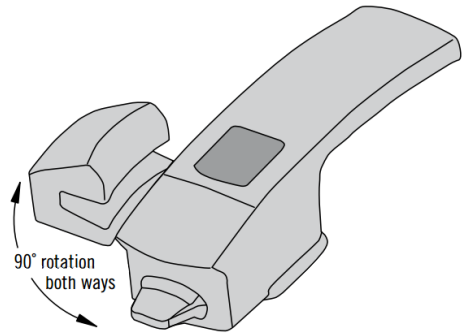
### Material

- Handle, keeper, base button and sleeve: 316 grade stainless steel, electro-polished
- Keeper insert: Nylon black
- O-ring: EPDM natural
- Screw, spring and nut: 304 Stainless steel passivated

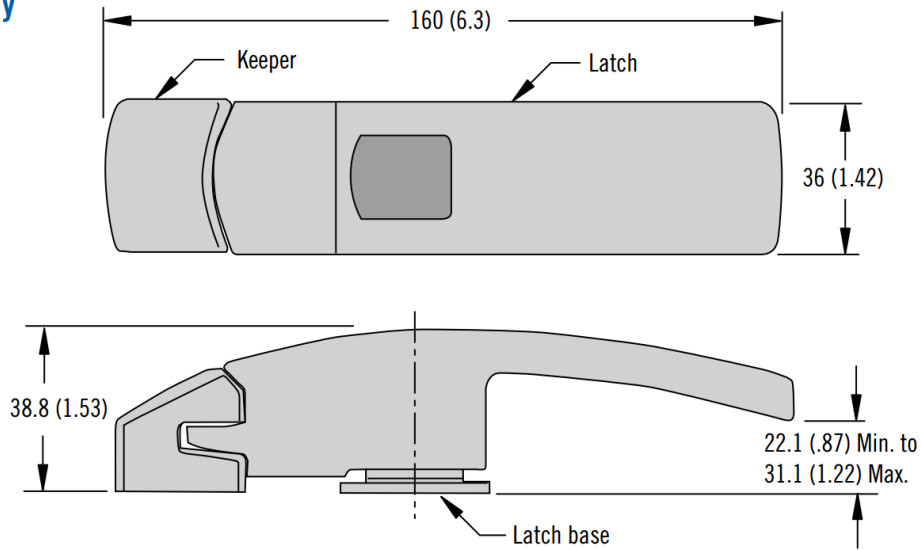


### Notes

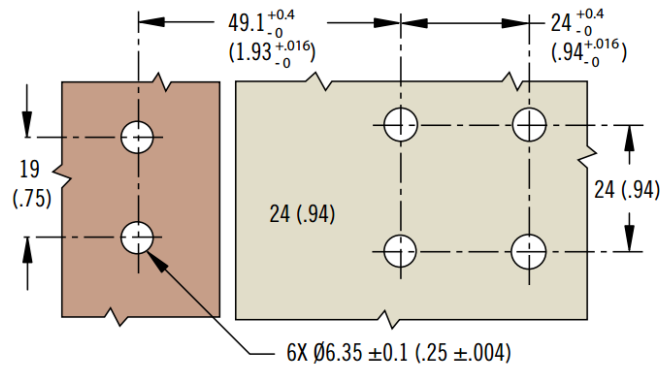
- Fine tuning latch and keeper alignment:
  - To increase the height of the latch by 3.75 mm, rotate the base of latch 90 degrees clockwise
  - To decrease the height of the latch by 3.75 mm, rotate the base of latch 90 degrees counter clockwise
  - For every 360 degree turn, the height adjusts 1.5



### Assembly



### Panel Preparation



Part No.

TM-10-101-24